

# Experiments on Motion and Oscillation Controls of a Gantry Crane System Using Parallel Proportional Controllers

*By Abdul Kadir Muhammad*

PAPER • OPEN ACCESS

## Experiments on Motion and Oscillation Controls of a Gantry Crane System Using Parallel Proportional Controllers

To cite this article: A K Muhammad *et al* 2019 *IOP Conf. Ser.: Mater. Sci. Eng.* **619** 012027

View the [article online](#) for updates and enhancements.

You may also like

10

- [Electrically Operated Multipurpose Trolley](#)  
Al Sult Al Kharusi, Dinesh Keloth kaitari,  
Muhammad Mumtaz Mirza *et al.*

- [Mechanical resonance in the rear wheels of a shopping trolley](#)  
Johan Lindén

- [Design of automatization of trolley cover based on microcontroller AT Mega 8535 as a learning media at ATKP Medan](#)  
S D Novalina, <sup>6</sup> Panjaitan, R P  
Simanjuntak *et al.*



### 244th Electrochemical Society Meeting

October 8 – 12, 2023 • Gothenburg, Sweden

50 symposia in electrochemistry & solid state science



Deadline Extended!  
**Last chance to submit!**

New deadline:  
April 21

**submit your abstract!**

## 5 Experiments on Motion and Oscillation Controls of a Gantry Crane System Using Parallel Proportional Controllers

A K Muhammad, R Tandioaga, S Ka'ka, L Lewi, A Rahman and A Taufik

Center for Mechatronics and Control Systems, Mechanical Engineering Department,  
State Polytechnic of Ujung Pandang, Makassar, Indonesia

kadir.muhammad@poliupg.ac.id

**Abstract.** The purposes of this research are to formulate the mathematical model of the system, to propose an effective control scheme and to perform experiments on a laboratory scale. The system used in this paper consists of a trolley, a pendulum as load and a dc motor to drive the trolley. Mathematical model of trolley position and load angle were formulated considering voltage of the motor and damping constant of the air calculated specifically using energy balance. Two proportional (*P*) controllers were designed in parallel in such a way to drive the trolley and to reduce oscillation of the load. The system and the proposed control scheme were confirmed through experiments. The experimental results revealed that the motion and oscillation of the system can be controlled effectively.

### 1. Introduction

The use of gantry crane systems for transporting payload is very common in engineering constructions, industrial application and trading. For instance, a gantry crane is used for lifting containers from a ship onto a truck. The crane should move the load as fast as possible without having any excess payload motion at the final position. However, moving the load using the crane is not an easy task. Most of the common gantry cranes result in a swing motion when payload is suddenly dropped after a fast motion [1]. So, the gantry crane needs a skillful operator to manually control it and to immediately stop the swing at the right position. Furthermore to unload, the operator has to wait until the load stops swinging [2]. It is often time consuming process which eventually affects the productivity in transporting payload. These problems can be solved using a controlled gantry crane system. Its controller system should deal with not only its motion but also oscillation of the payload.

The purposes of this research are to formulate the mathematical model of the system, to propose an effective control scheme and to perform experiments on a laboratory scale. The system used in this paper consists of a trolley, a load and a dc motor to drive the trolley. Mathematical model of trolley position and load angle were formulated considering voltage of the motor and damping constant of the air calculated specifically using energy balance. Two proportional (*P*) controllers were designed in parallel in such a way to drive the trolley and to reduce oscillation of the load.



1 Content from this work may be used under the terms of the Creative Commons Attribution 3.0 licence. Any further distribution of this work must maintain attribution to the author(s) and the title of the work, journal citation and DOI.

## 2. Modeling

### 2.1. Mathematical Model

Figure 1 shows the dc motor used in this study. Electrical part of the motor consists of resistor,  $R$  and conductor,  $L$ . Voltage of  $V$  is the source of power. Inverse voltage of the motor and its constant are denoted by  $e$  and  $K$  respectively. Torque constant of the motor is denoted by  $K_r$ . Mechanical part of the motor has mass moment of inertia,  $J$ , viscous damping constant,  $b$  and motor torque  $T$ . Radius of gear, angular position and velocity of the motor are denoted by  $r$ ,  $\theta$  and  $\dot{\theta}$ . Transfer function of voltage of the motor to position of the trolley  $X$  and is expressed by [3]

$$\frac{X(s)}{V(s)} = \frac{r.K_t}{s((Ls + R)(Js + b) + KK_t)} \quad (1)$$

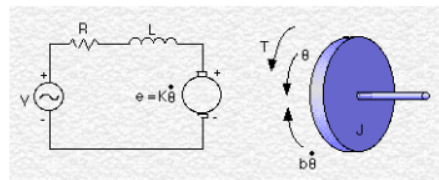


Figure 1. DC Motor

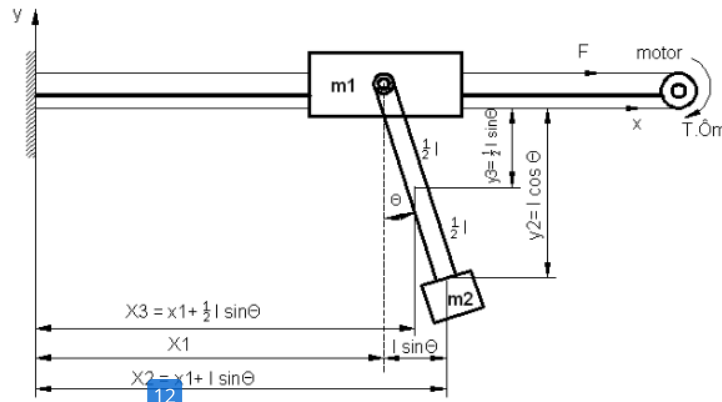


Figure 2. Design of the gantry crane system

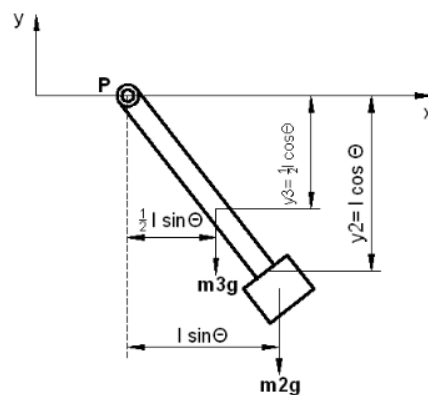


Figure 3. Free body diagram of the load

Figure 2 and figure 3 show the gantry crane system and free body diagram of the load. Based the figures, transfer function of position of the trolley to angle of the load  $\alpha$  and is expressed by [3]

$$\frac{\theta(s)}{X_1(s)} = \frac{2.22.s^2}{s^2 + 1.25D_f.s + 21.8} \quad (2)$$

where  $D_f$  is damping constant of the air calculated specifically using energy balance.

2.2. Experimental Model

Figure 4 shows the experimental model of the gantry crane system. The gantry crane consists of the frame, the trolley, the load, the dc motor and the base. The motor is fixed in one side of the frame. The trolley is connected to the motor through a belt transmission system. An encoder is attached in the other side of the motor. IMU (inertia measurement unit) sensor is attached to the load. The frame is mounted to the base.



Figure 4. Experimental model of the gantry crane system

3. Control Scheme

A control scheme to drive the trolley and to reduce oscillation of the load was designed for the dc motor. Two  $P$ -controllers were designed in parallel for the system. The controlled torque of the motor are defined as follows

$$\tau = k_{p1}(x_d - x) + k_{p2}(\theta_d - \theta) \quad (3)$$

where  $k_{p1}$  and  $k_{p2}$  are proportional gains for position and angle of the load, respectively. Desired and actual positions of the trolley are denoted by  $x_d$  and  $x$ , respectively.

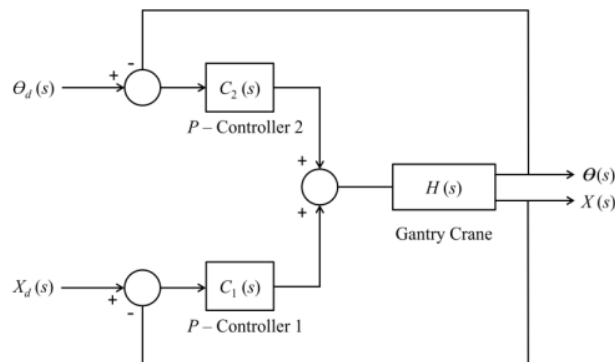


Figure 5. Block diagram of the proposed control scheme for the gantry crane system

Desired and actual angles of the load are denoted by  $\theta_d$  and  $\theta$ , respectively.  $\theta_d$  is set to zero. The block diagram of the controlled system is shown in figure 5.

#### 4. Experiment

##### 4.1. Experimental Set-up

In order to investigate the validity of the proposed control scheme, an experimental set-up was designed. The set-up is shown in figure 6.

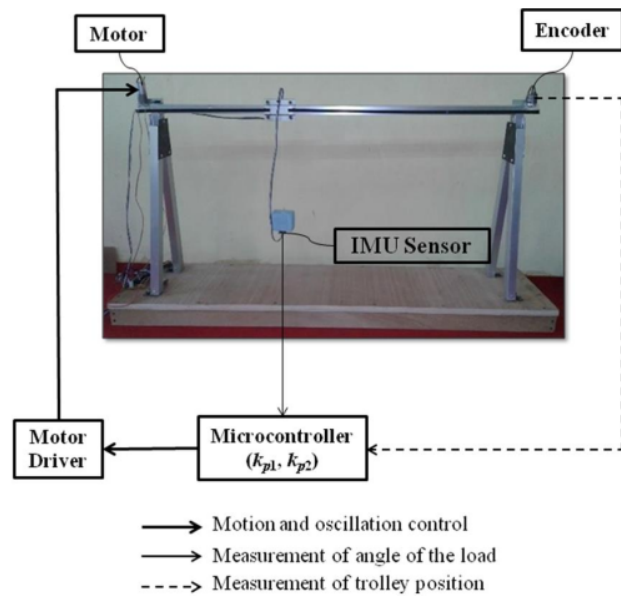


Figure 6. Schematics of measurement and control systems

The gantry crane system consists of the frame, the trolley, the load, the dc motor, the encoder, the IMU sensor and the base. The encoder and the IMU sensor provide information of trolley position and angle of the load. The both information were processed by a microcontroller using two  $P$ -controllers. The actuating signal sent to a motor driver to drive the motor and control oscillation of the load in the motor voltage range.

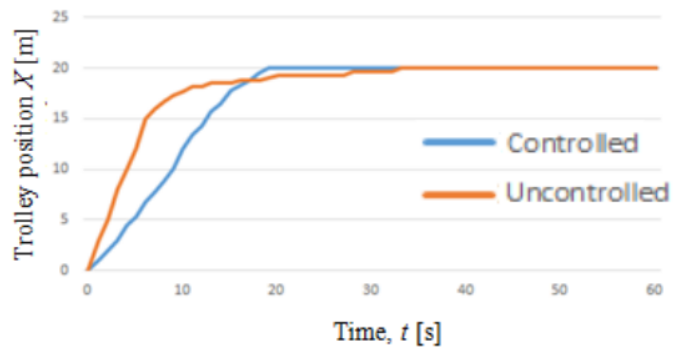
##### 4.2. Experimental Method

Position of the trolley was set to 20 [cm]. Actuation signal were obtained from the first  $P$ -controller based on error of the trolley position and by the second one based on angle of the load. The proportional control scheme was implemented using arduino nano.

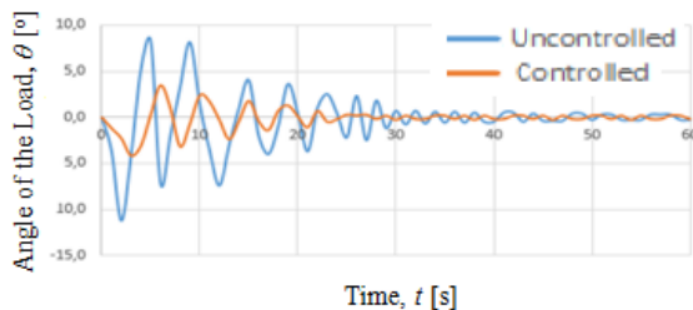
##### 4.3. Experimental Results

Experimental time history responses of the trolley position and angle of the load on the controlled system were measured under the control scheme as shown in figure 7 and figure 8. Examining several gains of the  $P$ -controllers led to  $k_{p1} = 3$  and  $k_{p2} = 4$  as the better ones for the system. Figure 7 shows the uncontrolled and controlled time history responses of trolley position. The trolley position of 20 [cm] was achieved for 33 [s] and 20 [s] for uncontrolled and controlled system. Figure 8 shows the uncontrolled and controlled time history responses of angle of the load. Maximum angle of the load was

11 [degrees] for the uncontrolled system and could be reduced after 50 [s]. Maximum angle of the load was 4 [degrees] for the controlled one and could be reduced after 25 [s].



**8** Figure 7. Time history responses of the trolley position



**8** Figure 8. Time history responses of the load angle

### **3** Conclusion

The Mathematical model of the gantry crane system had been formulated considering voltage of the motor and damping constant of the air calculated specifically using energy balance. Two proportional ( $P$ ) controllers were designed in parallel in such a way to drive the trolley and to reduce oscillation of the load. The proposed control scheme was examined through the experiments. The experimental results have revealed that the position of the trolley and oscillation of the load can be controlled effectively.

### References

- [1] Omar H M 2003 *Control of Gantry and Tower Crane* MS Thesis Virginia Tech
- [2] Wahyudi et al 2007 Control Strategy for Automatic Gantry Crane Systems; a Practical and Intelligent Approach *Int. J. Advanced Robotics System* **4 No. 4** 447
- [3] Muhammad A K 2011 Modeling and a Control Strategy for Gantry Crane Systems *J. Teknologi* **13 No. 4** 201

# Experiments on Motion and Oscillation Controls of a Gantry Crane System Using Parallel Proportional Controllers

---

ORIGINALITY REPORT

---

# 16%

SIMILARITY INDEX

---

## PRIMARY SOURCES

---

- |   |  |               |
|---|--|---------------|
| 1 | <a href="http://kclpure.kcl.ac.uk">kclpure.kcl.ac.uk</a><br>Internet   | 41 words — 3% |
| 2 | <a href="http://www.ijssrd.com">www.ijssrd.com</a><br>Internet   | 30 words — 2% |
| 3 | M. Iwan Solihin, Wahyudi. "Sensorless anti-swing control strategy for automatic gantry crane system using reference modifier", 2007 International Conference on Intelligent and Advanced Systems, 2007<br>Crossref                 | 29 words — 2% |
| 4 | <a href="http://section.iaesonline.com">section.iaesonline.com</a><br>Internet   | 27 words — 2% |
| 5 | <a href="http://sinta3.ristekdikti.go.id">sinta3.ristekdikti.go.id</a><br>Internet   | 27 words — 2% |
| 6 | <a href="http://ir.lib.nchu.edu.tw">ir.lib.nchu.edu.tw</a><br>Internet   | 21 words — 1% |
| 7 | M.A. Ahmad, Z. Zulkifely, M.A. Zawawi. "Experimental Investigations of Input Shaping Schemes for Sway Control of a Gantry Crane System", 2010 Second International Conference on Computer and Network Technology, 2010<br>Crossref | 17 words — 1% |



8	Aircraft Engineering and Aerospace Technology, Volume 79, Issue 1 (2007-06-27) Publications	12 words — 1%
9	<a href="http://www.tandfonline.com">www.tandfonline.com</a> Internet	12 words — 1%
10	<a href="http://china.iopscience.iop.org">china.iopscience.iop.org</a> Internet	11 words — 1%
11	<a href="http://autodocbox.com">autodocbox.com</a> Internet	10 words — 1%
12	Md. Hazrat Ali, N. Mir-Nasiri. "Design of an Automated Pepper Sorting Machine", 2017 3rd International Conference on Control, Automation and Robotics (ICCAR), 2017 Crossref	8 words — 1%
13	<a href="http://eprints.utm.edu.my">eprints.utm.edu.my</a> Internet	8 words — 1%

EXCLUDE QUOTES OFF  
EXCLUDE BIBLIOGRAPHY ON

EXCLUDE SOURCES OFF  
EXCLUDE MATCHES OFF